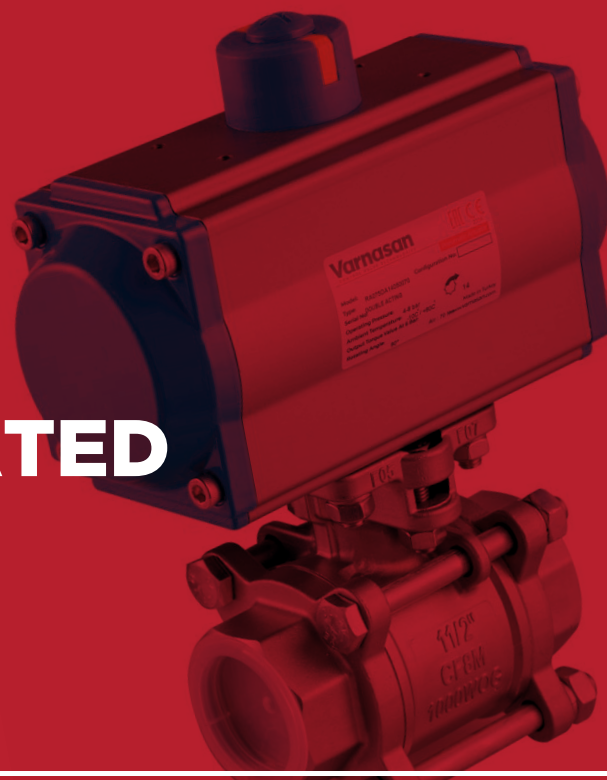


PNEUMATIC ACTUATED STAINLESS STEEL BALL VALVE



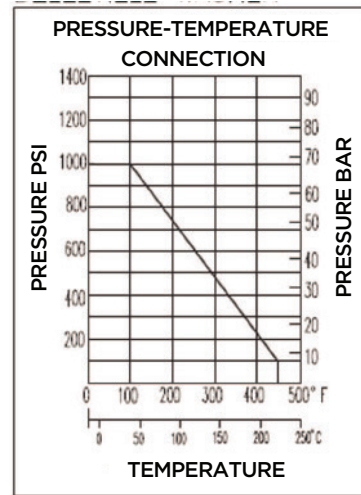
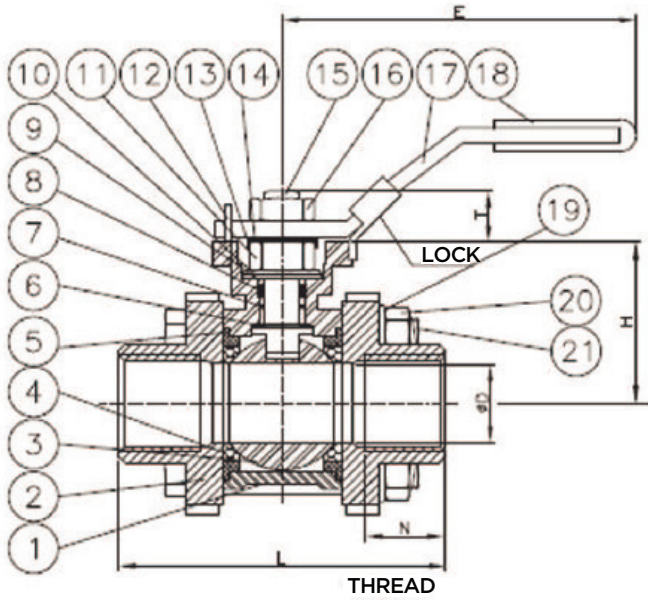
Ball Valve Details

Body	: SS316
Disc	: SS316
Cover Flange	: ISO5211
Connection Standard	: B2.1 BS21 1973 DIN 259/2999 NPT
Working Pressure (1 1/2" ... 4")	: PN 63 bar (1/2" .. 1 1/4"), 50 bar
Way	: 2/2
Size	: 1/2" 3"
Applications	: • Chemical Industry • For acids and chemical controls • For purpose of drain and stopper at the end of the line • Treatment plants • Stainless Steel Resistant Fluid Types
Sealing	: PTFE

Pneumatic Actuator Details

Type	: Single acting, Double Acting
Position	: 2 Positions
Angle of Rotation	: 90°
Protection Class	: IP65, IP68
ATEX Protection Class	: II 2GDc T4
Working Pressure	: 4...8 Bar
Working Temperature	: -20°C...+80°C
Torque Range	: 12Nm...80 Nm
Body	: Aluminium Extrusion
Stroke Adjustment	: ± 5°
Accessories	: Switch Box, Namur Valve, Positioner,
Manual Override	
Fluid Control	: On/Off, Proportional
Valve Connection	: ISO 5211
Accessories Connections	: Namur standards

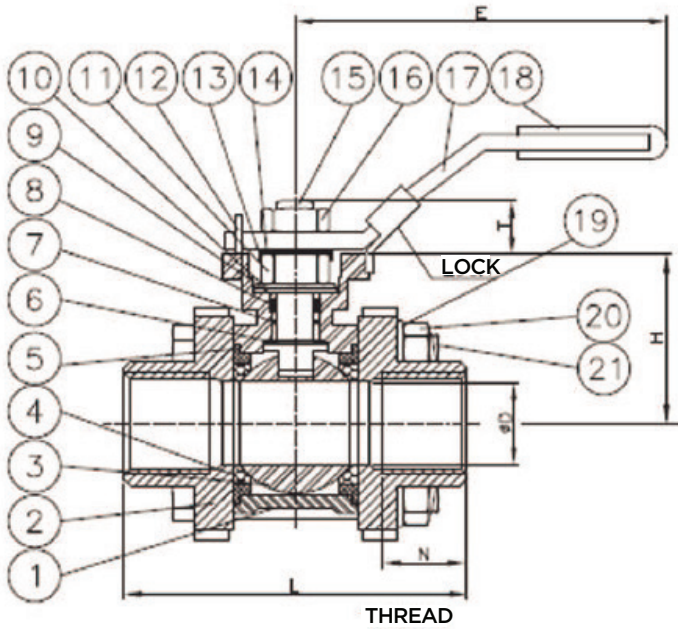
► BALL VALVE SIZE



SIZE		Ø D	L±2	H	E±3	T	S	Ø D1	L1±2	ISO 5211		N	KV VALUES
DN	INCH									Ø K1	Ø K2		
15	1/2"	15	75	38.0	140	9	9	21.8	70	F03	F04	20.0	9.7
20	3/4"	20	80	47.0	140	9	9	27.2	85	F03	F04	21.0	18.2
25	1"	25	90	57.2	154	11	11	34.0	95	F04	F05	21.0	30.3
32	1-1/4"	32	110	62.5	154	11	11	42.7	110	F04	F05	27.5	49.3
40	1-1/2"	38	120	77.5	184	14	14	48.8	120	F05	F07	26.5	69.2
50	2"	50	162	86.5	184	14	14	61.2	142	F05	F07	31.0	129.7
65	2-1/2"	65	162	108.0	261	17	17	74.0	168	F07	F10	28.0	229.2
80	3"	80	184	115.0	261	17	17	90.0	182	F07	F10	33.5	358.9
100	4"	100	228	141.0	337	22	22	115.6	227	F10	F12	41.0	674.6

Butterfly Valve Code : Tork-KV.903
 Single Acting Actuated Butterfly Valve Code : PAV-903.SR
 Double Acting Actuated Butterfly Valve Code : PAV-903.DA

► BALL VALVE MATERIAL



P. NO	PART NAME	MATERIAL TYPE	PIECE
1	BODY	AISI 316	1
2	CAP	AISI 316	1
3	BALL	AISI 316	1
4	BEARING	TEFLON	2
5	SEALING	TEFLON	2
6	STAMP	TEFLON	1
7	O-Ring	VITON	1
8	GASKET	TEFLON	1
9	RING	AISI 304	2-3
10	DISC SPRING	AISI 304	1
11	GASKET NUT	AISI 304	1
12	STOPPER PIM	AISI 304	1
13	SPRING STRING	AISI 304	1
14	RING	AISI 304	1
15	SHAFT	AISI 316	1
16	HAND NUT	AISI 304	1
17	HANDLE	AISI 304	1
18	HOLDER	PLASTIC	1
19	SPRING STRING	AISI 304	4
20	NUT	AISI 304	4.8.12
21	SCREW	AISI 304	4.6